

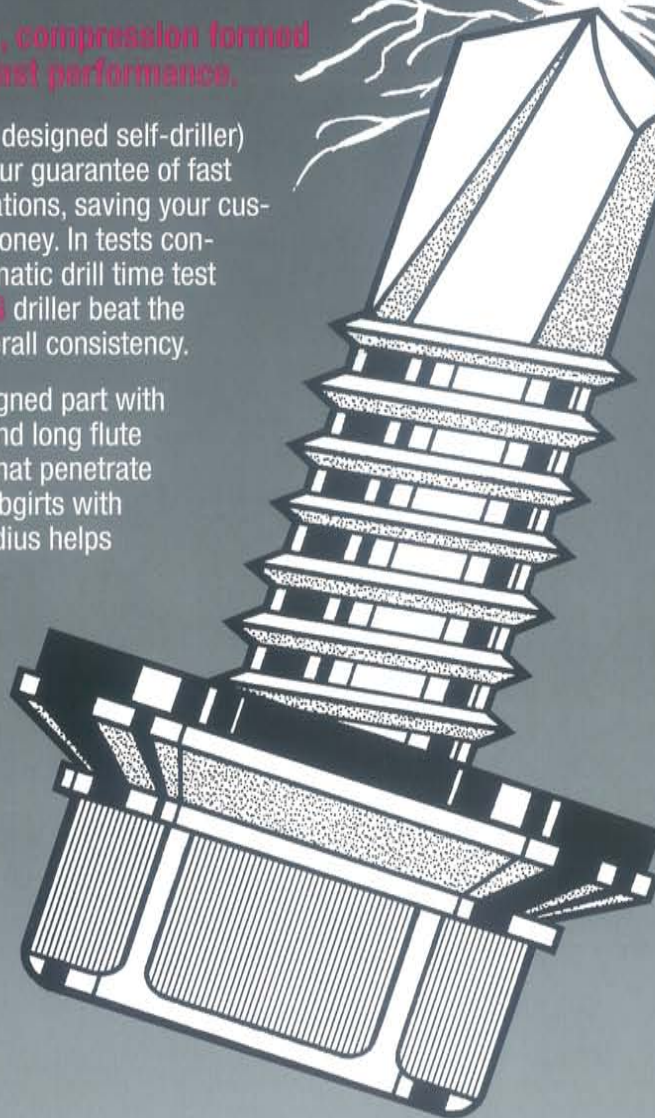
SDS

SUPERIOR DESIGNED SELF-DRILLER

Superior design, compression formed point for ultra-fast performance.

The **SDS** (superior designed self-driller) from **IDEAL** is your guarantee of fast dependable installations, saving your customers time and money. In tests conducted on an automatic drill time test apparatus, our **SDS** driller beat the competition for overall consistency.

Our **superior** designed part with its special radius and long flute provide fasteners that penetrate your sheets and subgirts with ease. The sharp radius helps



prevent the driller from "walking", a common problem with poorly formed drill screws.

In today's competitive environment, it's an absolute must that the products you use work consistently. Lost time equals lost profits! So if your drill screws are not performing to your satisfaction, step-up to the high energy performance driven **SDS** fastener from **IDEAL**, you and your customers will appreciate the change.

IDEAL...it's not just our name
it's the products we sell.

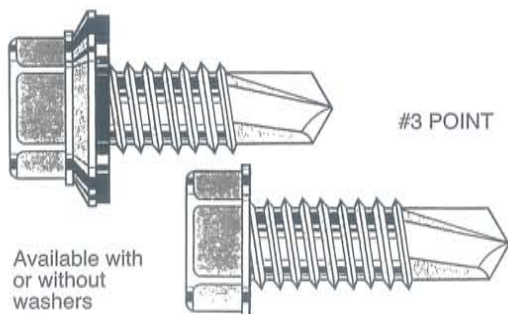
IDEAL
BUILDING FASTENERS

920 Second Avenue
Coraopolis, PA 15108
(412) 299-6199 • (800) 670-5767
FAX (412) 299-6499

IDEAL **SDS** DRILLERS

CARBON STEEL PLATED Self Drilling

Hex Head Zinc Plated Self-Drilling Screws
With Bonded Ever-Seal Washer

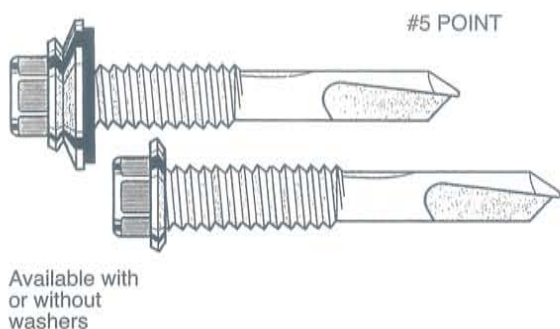


Size	Point Type	Est. Wt./M	Pcs./ Ctn.
10 x 3/4"	3	9.4	5000
10 x 1"	3	10.2	5000
12 x 3/4"	3	13.1	3000
12 x 1"	3	14.4	3000
12 x 1 1/4"	3 & 5	16.9	2500
12 x 1 1/2"	3 & 5	18.3	2500
12 x 2"	3	20.5	2000
14 x 3/4"	3	15.9	3000
14 x 7/8" stitch	140	13.0	3000
14 x 1"	3	18.8	2500
14 x 1 1/2"	3	22.8	2000
14 x 2"	3	28.1	1500

Deduct 4 lbs for no washers per M pcs.

STAINLESS STEEL 400 SERIES Self Drilling

Hex Head Stainless Self-Drilling Screws
With Bonded Ever-Seal Washer



Size	Point Type	Est. Wt./M	Pcs./ Ctn.
10 x 3/4"	3	9.4	5000
10 x 1"	3	10.2	5000
12 x 3/4"	3	13.1	3000
12 x 1"	3	14.4	3000
12 x 1 1/4"	3 & 5	16.9	2500
12 x 1 1/2"	3	18.3	2500
14 x 3/4"	3	15.9	3000
14 x 7/8" stitch	140	13.0	3000
14 x 1"	3	18.8	2500
14 x 1 1/2"	3	22.8	2000

Deduct 4 lbs for no washers per M pcs.

SDS SELF-DRILLER GUIDE

MATERIAL THICK (IN)	SELF-DRILLER #3 POINT					SELF-DRILLER #5 POINT
.500						.500 <input type="checkbox"/>
.250				.210	.250	<input type="checkbox"/>
.150		.140	.175			
.100	.110	<input type="checkbox"/>	<input type="checkbox"/>	<input type="checkbox"/>	.110	
.050	.090	.100	.110	.110	.110	
SCREW SIZE	#6	#8	#10	#12	# 1/4	#12

Many sizes shown are in stock and available off the shelf. Others are available within 3-5 days. Please call with your inquiry for price